

Cuisinart Outdoors™

Follow us @cuisinart_europe



UK Guarantee

Limited Three-Year Guarantee

This appliance is guaranteed for consumer use for 3 years and is only valid within the United Kingdom.

This guarantee covers consumer use only i.e. defects occurring under normal use within the home from date of purchase or date of delivery, whichever is later.

If the product develops a fault due to defects in materials or manufacture **within 12 months** from the date of purchase, to avoid delays and unnecessary inconvenience, where possible please return the product to the point of purchase for an exchange.

If the product develops a fault due to defects in materials or manufacture **after 12 months** from the date of purchase, and within the guarantee period, Conair UK After Sales Service will repair or replace the product.

Exclusions

This guarantee will no longer be valid meaning that The Conair Group Ltd will not be liable to repair or replace your product where:

1. The appliance has been used on a voltage supply other than that which is marked on the product, or advised within this instruction booklet
2. The appliance has been purchased from an unauthorised stockist*
3. The appliance is used for professional / non domestic usage
4. Repairs or alterations have been attempted by unauthorised persons
5. The failure of the appliance is a direct result of misuse
6. The failure is a result of not following the instructions for use This guarantee does not cover any cosmetic damage due to misuse of the product nor any damage to persons or property that occurs because of product misuse.

*unauthorised stockists include, but are not limited to online auction sites, private sellers and those selling second hand goods, refurbished products etc.

If you have any queries regarding this guarantee please contact the Conair Customer Care at support@cuisinart.co.uk or 03702 406 902.

It is important to retain your proof of purchase.

Even where a refund may be applicable, no refund will be provided without a valid receipt or proof of purchase, we will only be able to offer a repair or replacement service. Please note this does not apply if the product was purchased directly from The Conair Group Ltd.

Guarantees on replacement products run from the original purchase date or date of delivery, whichever is later, and not from the date of replacement.

This guarantee is an additional benefit and does not affect your statutory rights as a consumer.

For further advice on using the appliance or should you need to return your product, please contact the Conair Customer Care at support@cuisinart.co.uk or 03702 406 902.

UK After Sales Service

For further advice on using the appliance or should you need to return your product, swap email and phone around so email is first. Also remove times for phones.

Return address: Customer Care Centre

Conair Logistics
Unit 4, Revolution Park
Buckshaw Avenue
Buckshaw Village
Chorley
PR7 7DW

Please enclose your returns number, name and address details, together with a copy of proof of purchase and details of the fault.

Please note this instruction booklet is not the guarantee.

BaByliss SARL

ZI du Val de Calvigny
59141 Iwuy
France

The Conair Group Ltd

Unit 4, Revolution Park
Buckshaw Avenue
PR7 7DW

See our full line of premium Cuisinart™
Outdoor Cooking Products at www.cuisinart.eu

©2025 Cuisinart
Printed in China | COH1900EU

Cuisinart Outdoors

19.5" Cleanburn Fire Pit

MODEL NO: COH1900EU



Cover Page.....1

Safety Information.....2

Table of Contents.....4

Exploded View.....5

What's in the Box.....5

Assembly Instructions.....6

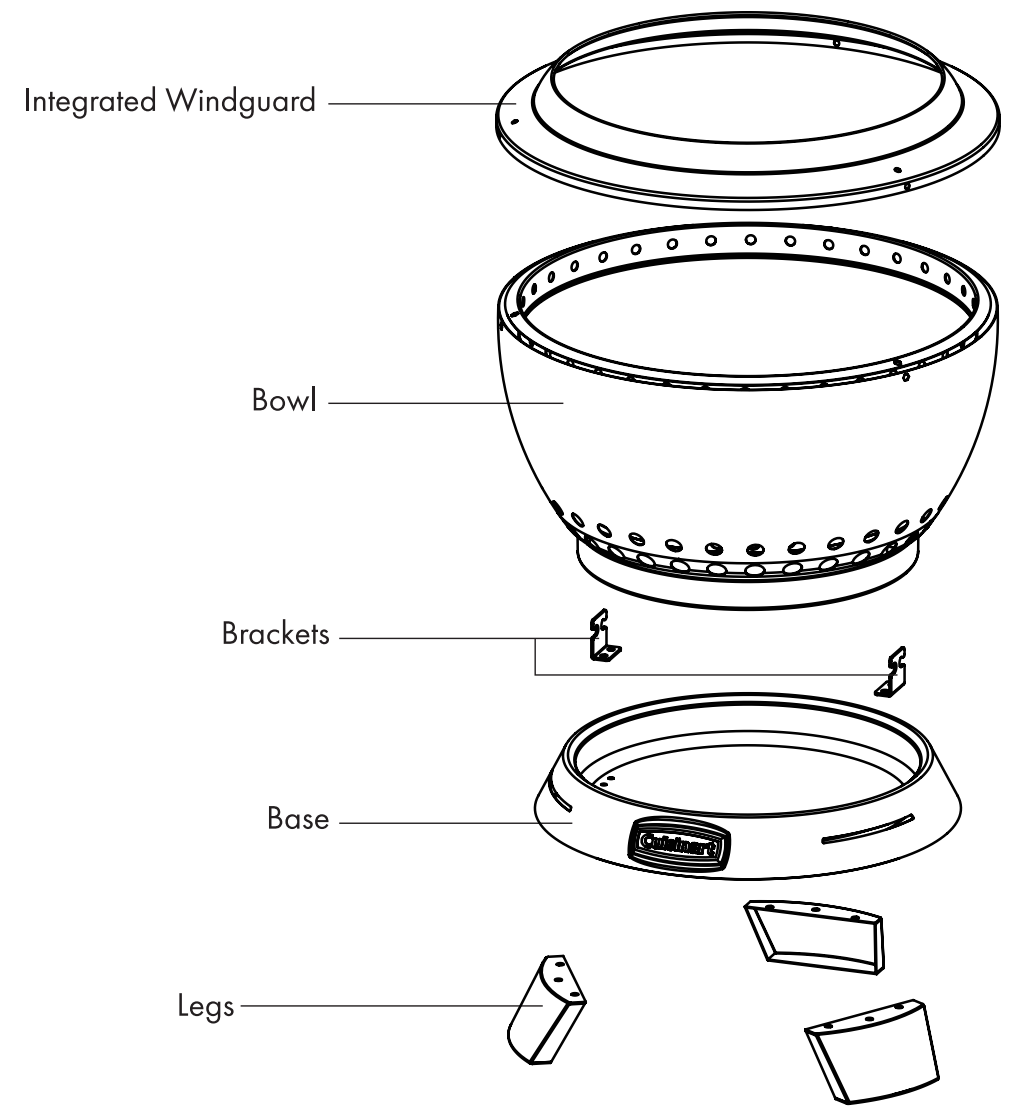
Operation.....8

Care and Maintenance.....8

Warranty and Replacement Parts.....9

Notes.....11

EXPLODED VIEWS



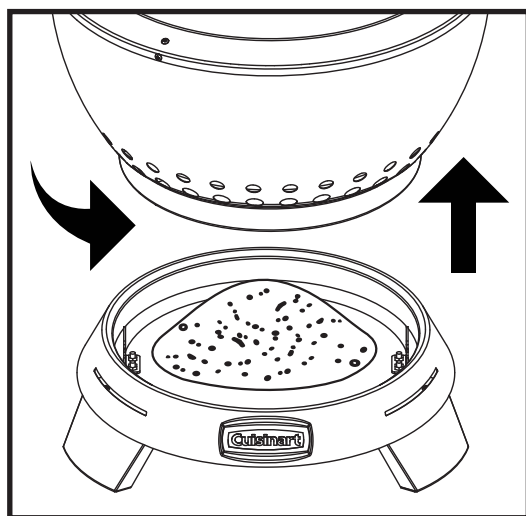
PARTS LIST

DESCRIPTION	QTY
Wind Guard	(x1)
Bracket	(x1)
Legs	(x1)
Leg Screws (M6 x 12)	(x1)

OPERATION

ADDING FUEL

- We recommend for fuel choice to use any hardwood species like: Oak, Maple, Birch, Hickory, etc.. in either logs or chunks style, especially when cooking food over it like S'mores and more!
NOTE: Do not use softwoods like Pine, Spruce as it will contain sap that will burn and coat the fire bowl with residue and also is not food-safe to cook over.
- Place fire pit on level ground away from windy locations if possible.
- We recommend using dry wood logs or chunks with this fire pit. Wet wood will be more difficult to light and produces more smoke.
- This fire pit is most easily ignited with either fire starters or crumpled paper. If using fire starters use 3-4 and place them in locations where your fuel is directly above it. If using paper, loosely crumple 6-8 sheets and place them at the bottom of the fire pit, then arrange your fuel on top. When ready to start, light the fire starter or crumpled paper.
- If using FIREWOOD, best log size is 16 inches or smaller. Place 2 small logs at the bottom of the bowl, then add 2-3 logs above them in a cross layer. Ensure there is space between each log so air and flames can flow freely. Add more firewood as needed.
- If using CHUNKS, or odd shaped firewood, add as much as you want to start with, but just keep wood below the (MAX Fuel-Fill Line) as your guide. Continue to replenish the fuel to extend your fires heat output or extend the burn time. Add more firewood as needed.
NOTE: The smokeless function of this fire pit is most effective when the bottom and side walls of the inside bowl are hot. As the wood burns and becomes coals, we recommend using a Fire Pit Poker, like our Cleanburn Fire Pit Poker (Model# CHA-860), sold separately, to move the hot coals around the bottom and outer walls of the bowl to help that process.
- Overfilling the fire pit above the top ventilation holes will decrease the efficiency and will produce more smoke until it burns and settles lower in the bowl.



REMOVING ASH

- Once the fire has extinguished and the unit has fully cooled, brush any remaining ash through the holes in the bottom plate of the main body so that it falls through and into the base.
- Separate the main body from the base by holding the base in place and rotating the main body to unlock the bottom tabs. When it is unlocked you can lift the bowl up off the base and set it aside. All of the ash will be captured in the ash tray base, which can then be poured out easily. It's that simple, with no fuss or mess!

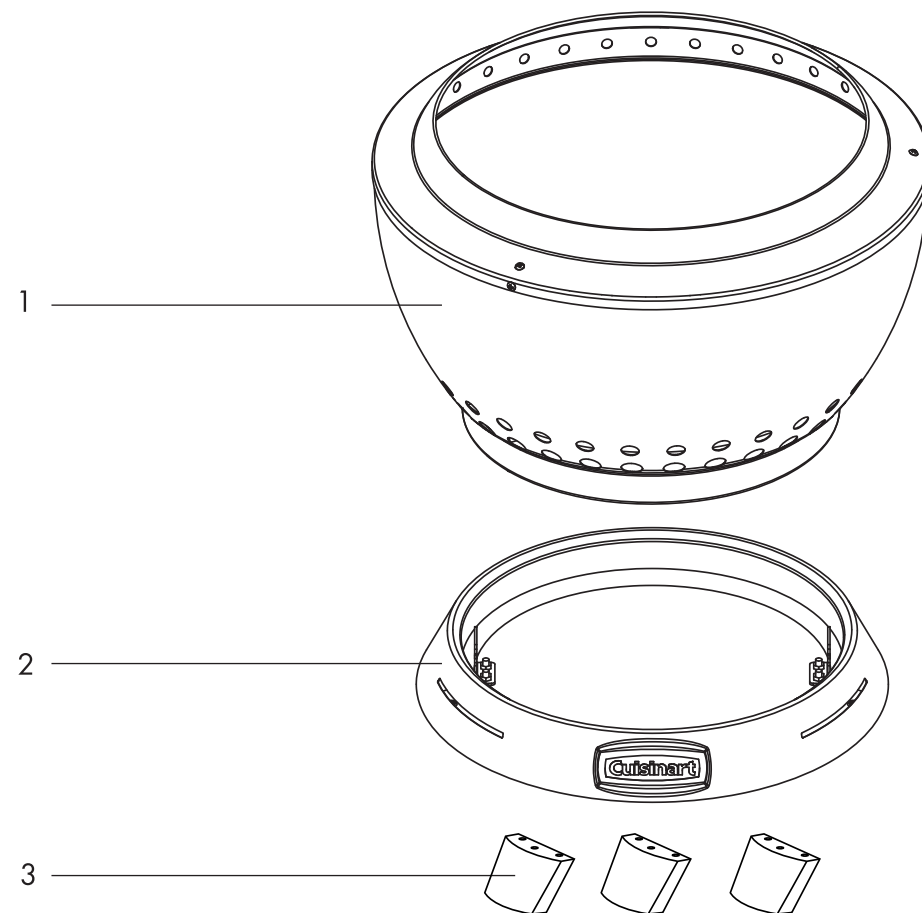
CARE AND MAINTENANCE

- Clean out ashes after each use only after the fire pit is completely cooled. See "Removing Ash" above.
- Do not attempt to clean while hot.
- Store the fire pit in a dry place out of the weather.
- **ALWAYS** cover your fire pit when not in use. Only cover the fire pit after it has completely cooled down.

EXPLODED VIEW

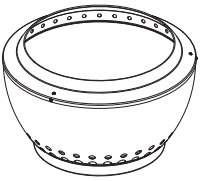


Carefully remove all pieces from the carton and make sure that you have all parts listed (refer to components list). If you are missing parts, please contact Consumer Care at 1-866-994-6390 for further assistance.

Use caution when removing the parts from packaging. It is recommended to wear gloves when assembling and handling loose parts.



WHAT'S IN THE BOX

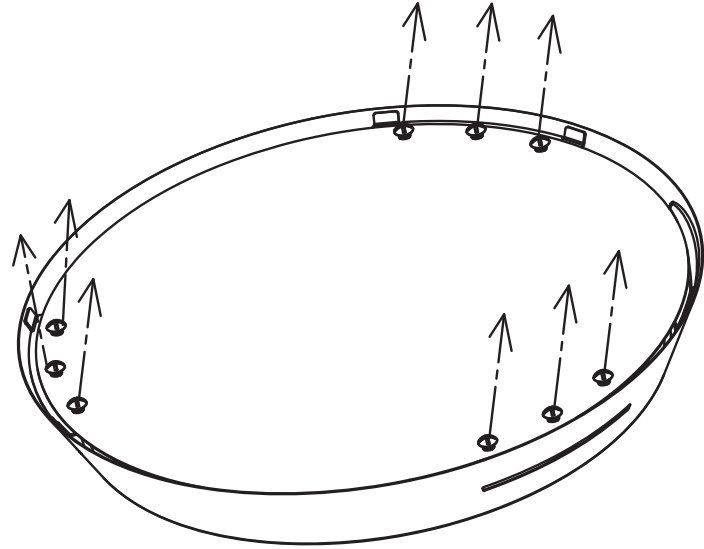
COMPONENTS

PART	DESCRIPTION	QTY
1	Main Body with Wind Guard 	(x1)
2	Base 	(x1)
3	Legs 	(x3)

ASSEMBLY INSTRUCTIONS

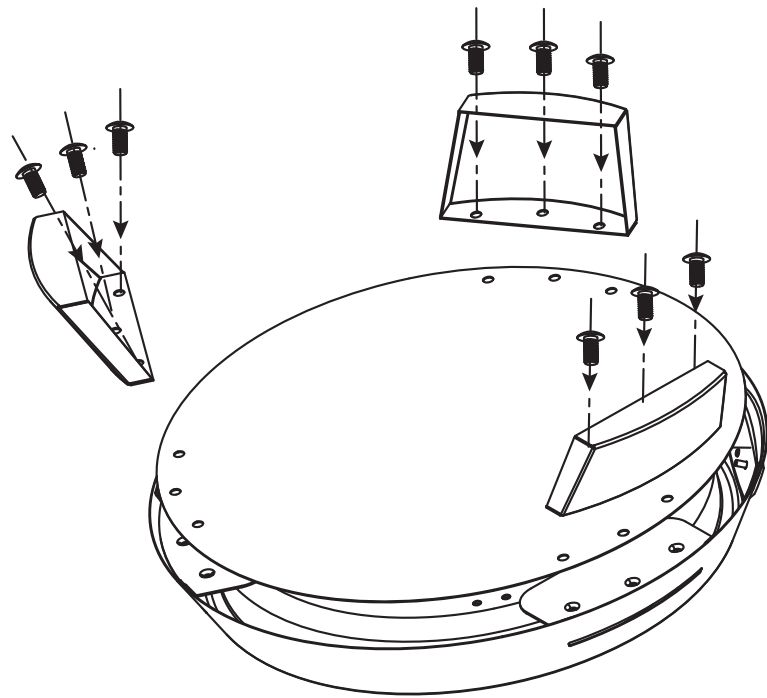
STEP 1

- Using a Phillips screwdriver, remove all 9 screws from the bottom of the Base (2), and place aside.
NOTE: Leave the heat shield in its current location.



STEP 2

- Attach each of the three Legs (3) with the 9 screws just removed, keeping bottom heat shield in same location and tighten.



ASSEMBLY INSTRUCTIONS

STEP 3

- Flip the Base (2) right side up and lower the Main Body (1) into it.
- Rotate Main Body (1) to the left or right until rotation stops.
NOTE: Test the connection by lifting up the Main Body (1) section to ensure the Base (2) is connected.

