

Cuisinart Outdoors™

Venture Portable Gas Grill

MODEL: CGG750EU

ASSEMBLY AND OPERATING INSTRUCTIONS



⚠ WARNING: FOR OUTDOOR USE ONLY

- This instruction manual contains important information necessary for the proper assembly and safe use of the appliance
- Read and follow all warnings and instructions before assembling and using the appliance
- Follow all warnings and instructions when using the appliance
- Keep this manual for future reference

⚠ DANGER

1. Do not use or store gasoline or ANY other flammable substances in the vicinity of this or any other appliance.
2. An LPG cylinder not connected for use shall not be stored in the vicinity of this or any other appliance.
3. Do not attempt to move, clean or disassemble the appliance once it is in use and flame is ignited. Be aware this appliance generates heat – if it is attempted to move the appliance when in use damage or injury may occur.

⚠ DANGER

If you smell gas:

1. Shut off gas to the appliance.
2. Extinguish any open flame.
3. If odor continues, keep away from the appliance and immediately call your fire department.

⚠ DANGER

Failure to follow these instructions could result in fire, explosion or burn hazard, which could cause property damage, personal injury or death.

⚠ DANGER

1. Never operate this appliance unattended.
2. Only operate this appliance with camping regulator with 7/16 thread inlet connection and LPG at 28-30mbar.
3. If a fire should occur, keep away from the appliance and immediately call your fire department. Do not attempt to extinguish an oil or grease fire with water.
4. Heated liquids remain at scalding temperatures long after the cooking process. Never touch cooking appliance until liquids have cooled to 45°C or less.

⚠ DANGER

Failure to follow these instructions could result in fire, explosion or burn hazard, which could cause property damage, personal injury or death.

Version no. xxxxxxx





















	Page
1. Warnings and Safety Instructions	3
2. Illustrated Parts List	4
3. Exploded View	5
4. Instructions	6
4.1 Select a proper location	6
4.2 Special Instructions for the use of regulator and cylinder	6
5. Operating Your Grill	
5.1 Installing the LP gas cylinder	10
5.2 Checking for gas leak	10
5.3 Lighting instructions	11
5.4 Match lighting	11
5.5 Using the grill	12
6. Care and Maintenance	13
7. FAQ and Troubleshooting	14
8. Warranty Program and Replacement Parts	15

1. Warnings and Safety Instructions

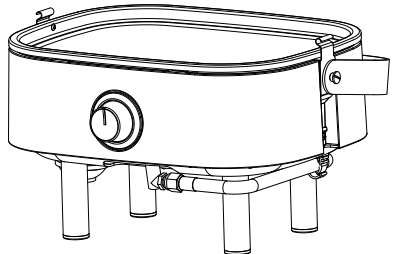
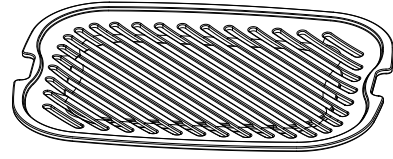
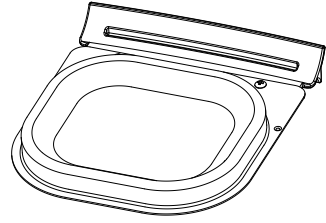
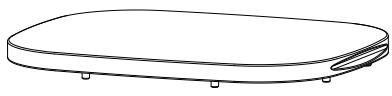
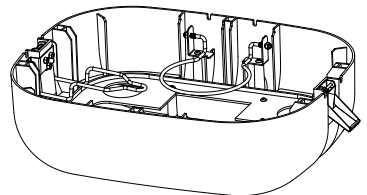
If these instructions are ignored, there is a possibility of a hazardous fire or explosion which could result in physical injury or property damage! It is your responsibility to assemble, operate and maintain your gas grill properly.

READ ALL WARNINGS AND INSTRUCTIONS PRIOR TO ASSEMBLING AND OPERATING YOUR GRILL

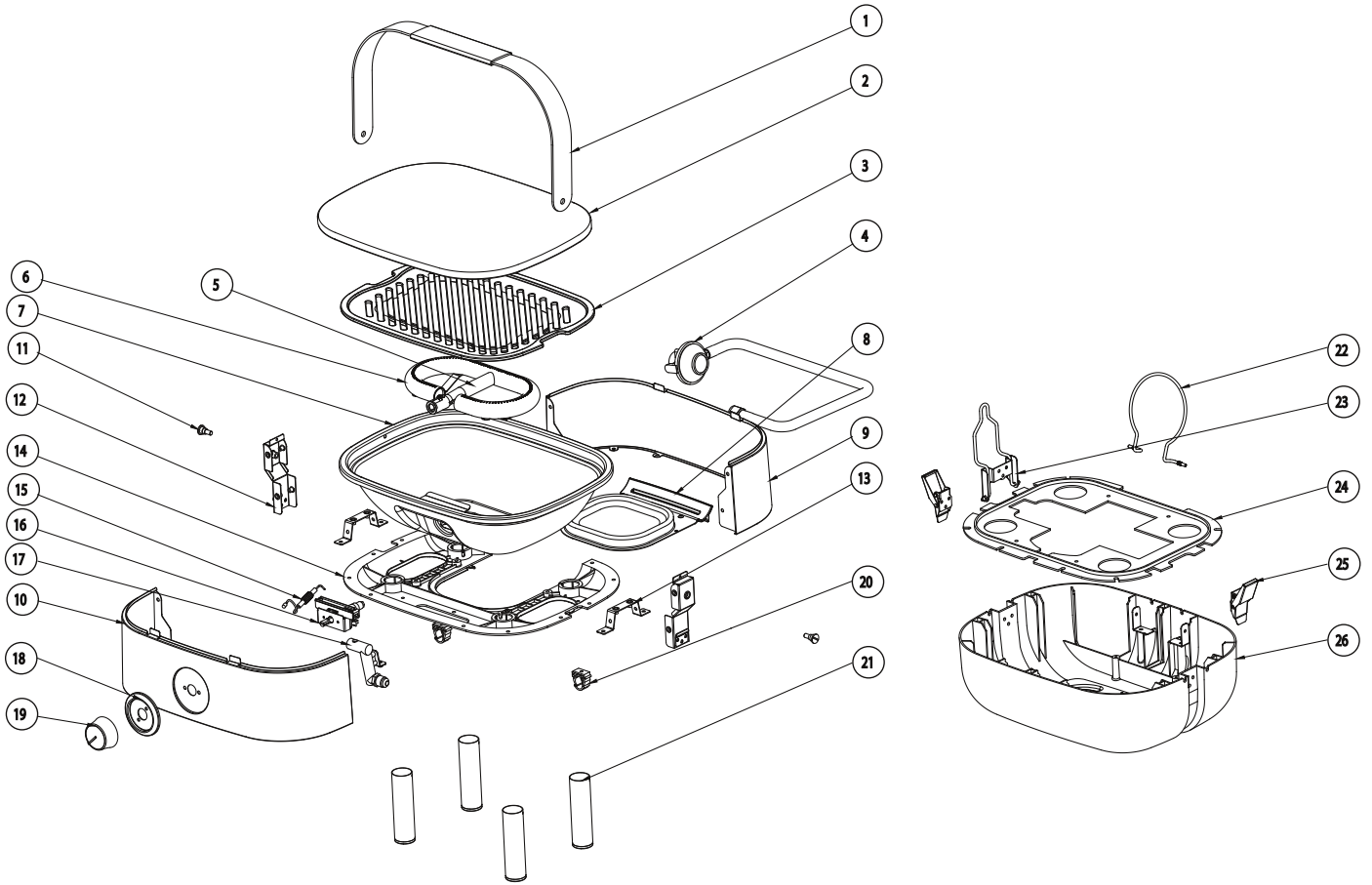
WARNINGS:

-  This grill is for outdoor use only. It should NOT be used in a building, garage or any other enclosed area.
-  Do not leave the grill unattended.
-  Keep children and pets away from the grill all the times.
-  Do not use the grill in high wind.
-  This grill must be used with propane gas only. Liquid propane is not natural gas. The conversion or attempted use of natural gas in a liquid propane grill is dangerous and will void your warranty.
-  Do not attempt to attach this grill to the self-contained propane system of a camper, trailer, motor home or house.
-  Do not use charcoal or lighter fluid.
-  Do not use gasoline, kerosene or alcohol for lighting. This appliance shall only be used with the Campingaz gas cartridge.
-  Do not move appliance when in use. Allow the grill to cool to ambient temp before moving or storing.
-  Do not use the grill unless it is COMPLETELY assembled and all parts are securely fastened and tightened. If there are any missing or damaged parts, contact customer service for a replacement.
-  Do not alter the grill in any manner.
-  Do not operate the grill if there is gas leak present.
-  This appliance is not intended to be installed in or on a boat or recreational vehicle.
-  Locate the grill away from any combustible or non-combustible materials or construction.
-  The appliance shall not be located used under overhead unprotected combustible construction.
-  This appliance is not intended for and should never be used as a heater.
-  This appliance will be hot during and after use. Use insulated oven mitts or gloves for protection from hot surfaces or splatter from cooking liquids.
-  This appliance is not intended for commercial use.
-  Wait until grill has fully cooled down to put the wooden cutting board on top.
-  When grill is not in use, keep wooden cutting board on top.

2. Illustrated Parts List

A.		Grill Body	1 pc
B.		Removable Cooking Grill Plate	1 pc
C.		Drip Tray	1 pc
D.		Cutting Board	1pc
E.		Base Unit	1pc

3. Exploded View



1	Handle	10	Front Skin Panel	19	Control Dial
2	Cutting Board	11	Handle Bolt	20	Hose Retaining Clip
3	Removable Cooking Grill Plate	12	Side Bracket Assembly	21	Body Leg
4	Regulator and Hose Assembly	13	Sink Mounting Bracket	22	Cylinder Retaining Loop
5	Venturi Tube	14	Sink Base	23	Base to Body Securing Mount
6	Burner Assembly	15	Sparker Electrode	24	Base Insert
7	Sink Assembly	16	Gas Valve	25	Side Clasp
8	Grease Tray Assembly	17	Gas Inlet Manifold	26	Base
9	Rear Skin Panel	18	Control Dial Surround		

4. Assembly Instructions

4.1 Select a Proper Location

DANGER

1. Never use this outdoor grill inside any building, garage, shed or breezeway, or inside any boat, trailer or recreational vehicle and/or boat, to prevent possible fire and to prevent the possibility of carbon monoxide poisoning or asphyxiation.
2. Always place your grill on a hard and level surface far away from combustible materials and structures.
3. Do not use this grill under an overhead combustible surface or covered area (e.g., awnings, umbrellas, porches or gazeboes). Keep all combustible surfaces away.
4. Never store or use gasoline or other flammable or volatile substances in the vicinity of this grill or in the vicinity of any other heat-generating appliance, because of the danger of starting a fire.
5. The cylinder must be disconnected when the appliance is not in use.
6. Do not obstruct the flow of combustion and ventilation air.

4.2 Special Instructions for the Use of Regulator and Propane Cylinder

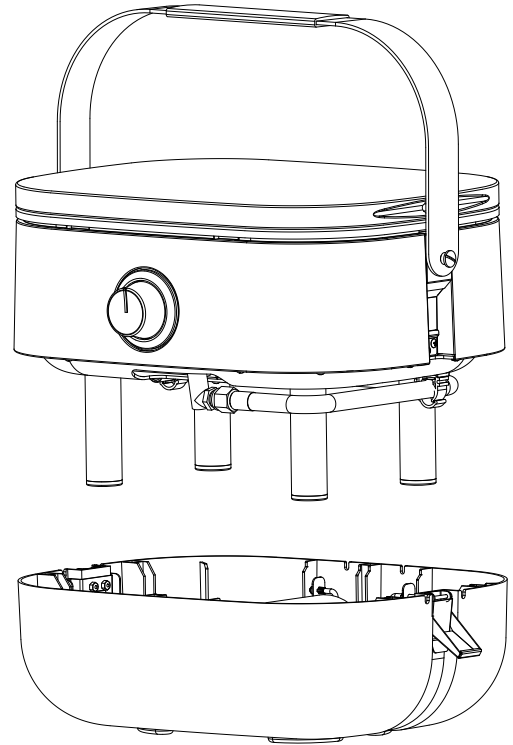
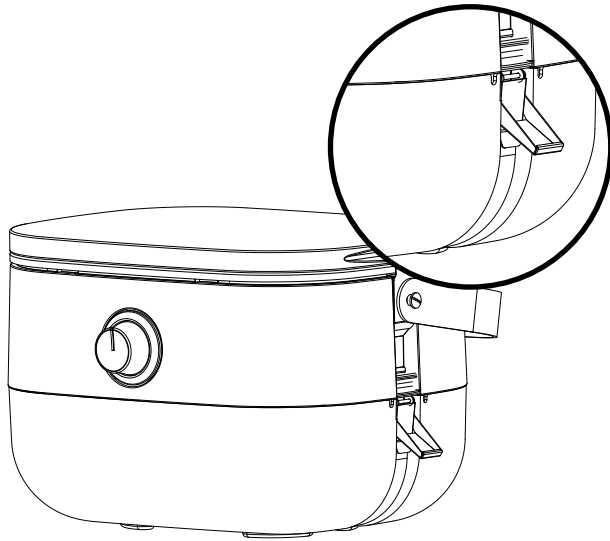
Only operate this appliance with camping regulator with 7/16 thread inlet connection and LPG at 28-30mbar.

- Store spare fuel canisters in a well-ventilated area away from the grill.
- Do not puncture or burn fuel canister.
- If the grill is not in use, the control knob must be turned to the OFF position to shut off the gas flow from the cylinder.
- Save the cylinder cap and reinstall when not in use.
- Cylinder supply system must be arranged for vapor withdrawal. Do not block the pressure relief valve during use or storage.
- Always remove LPG-gas cylinder from grill when transporting and when not in use.

Remove all the contents from packaging, and ensure all parts are present before attempting to assemble. (See Parts List on page 4)

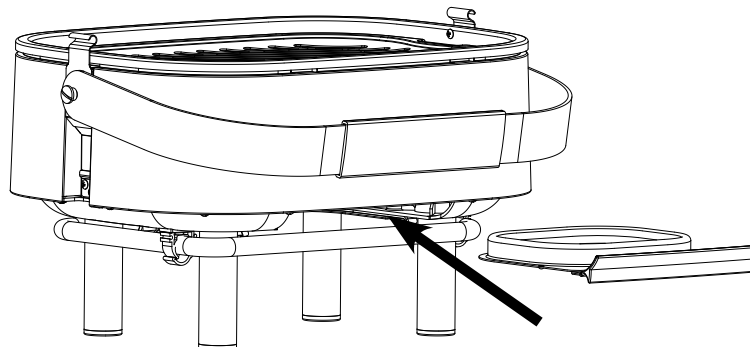
Step 1:

Undo clasps holding base to grill body and lift body away from base. Place base and body on a solid, level surface.



Step 2:

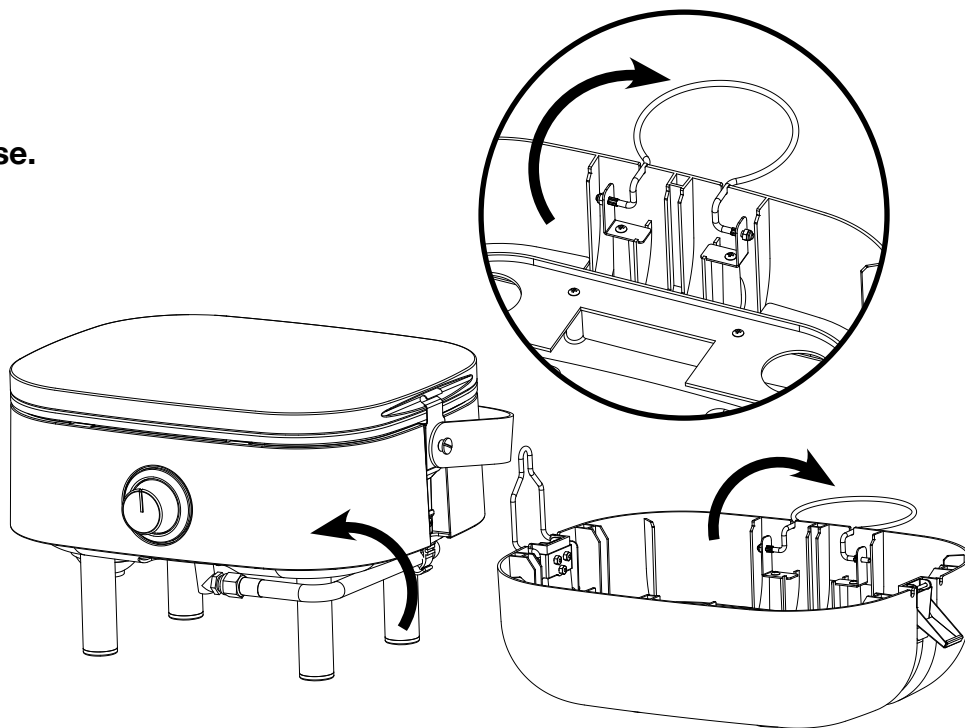
Install grease tray by sliding tray into rear of grill.



4. Instructions (cont.)

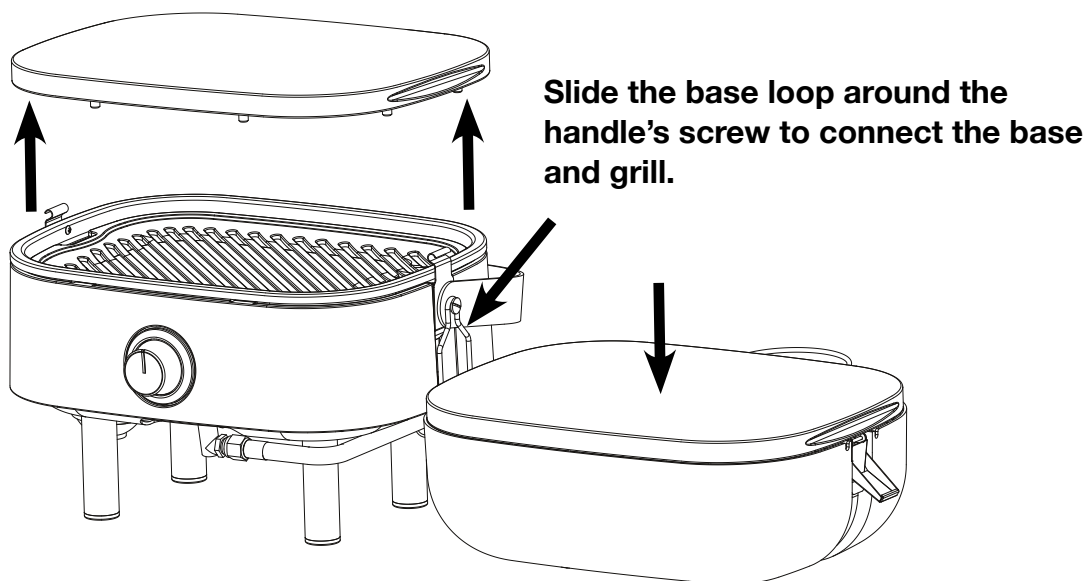
Step 3:

Flip bottle retaining loop in base so loop is outside base.



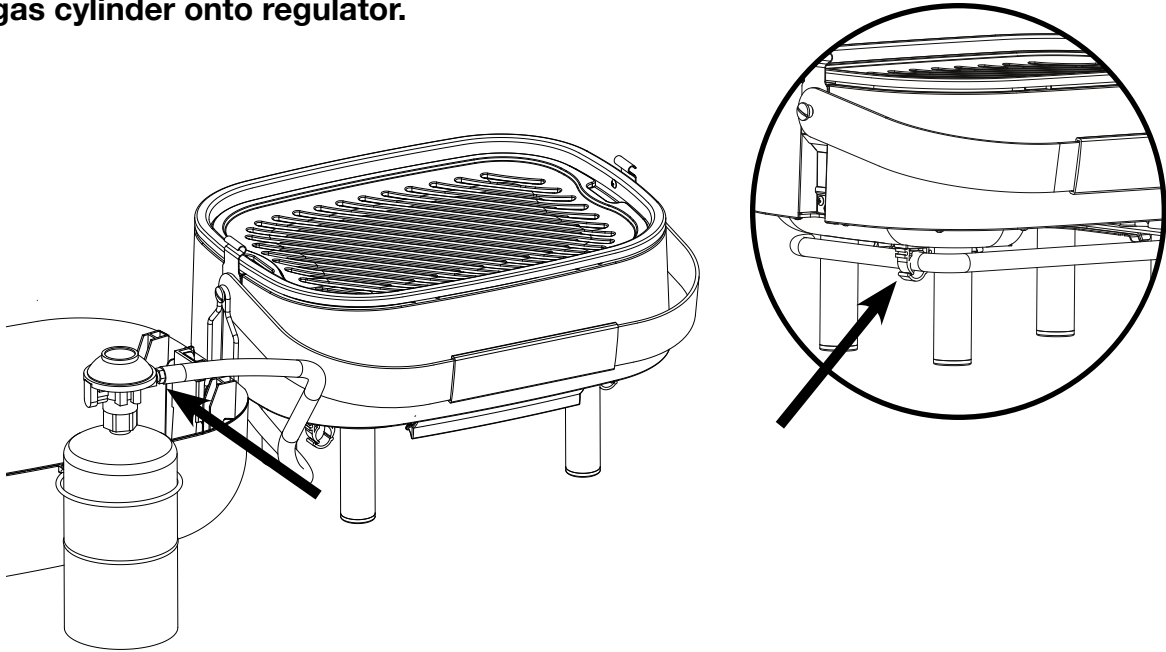
Step 4:

Lift wooden cutting board away from grill top and place onto base.



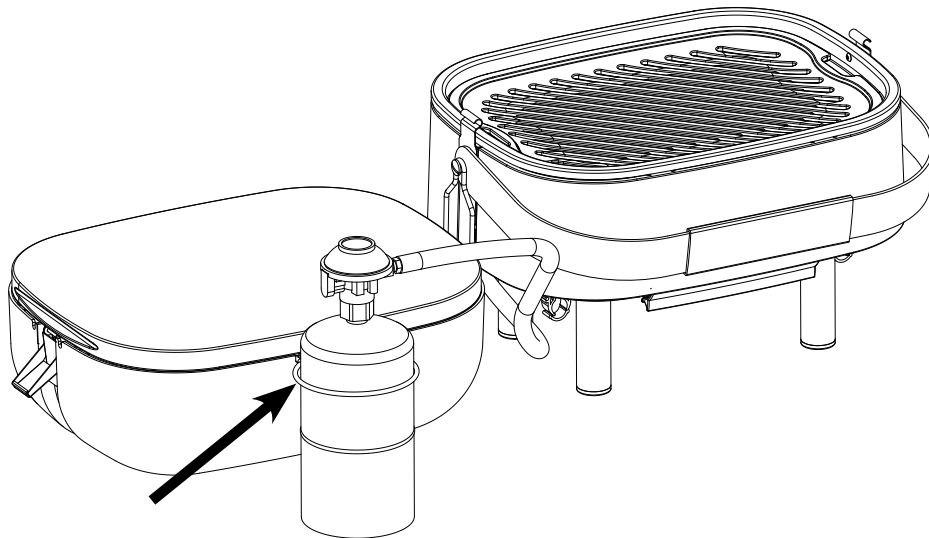
Step 5:

Unclip hose and regulator assembly from bottom of grill.
Screw gas cylinder onto regulator.



Step 6:

Place connected gas cylinder into retaining loop in base.



5. Operating Your Grill

Important: please read these user instructions carefully to familiarize yourself with the appliance before connecting it to its gas cartridge. Keep these instructions for future reference.

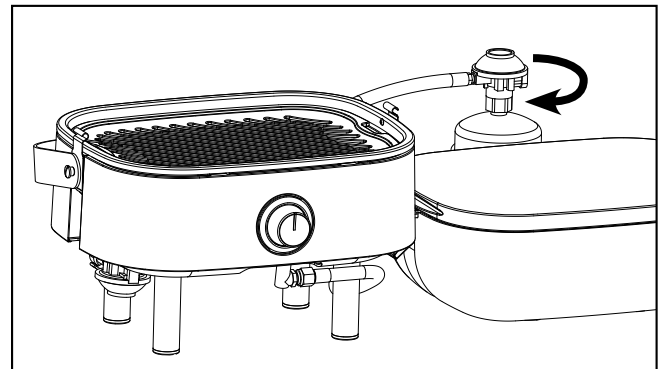
Before proceeding, make certain that you understand the WARNINGS section of this manual.

- Preparation before cooking – To prevent foods from sticking to the cooking grill, apply a light coat of cooking or vegetable oil to food before barbecuing session.
- **Note:** When cooking for the first time, paint colors may change slightly as a result of high temperatures. This is normal and should be expected.
- Clean and inspect the hose before each use of the outdoor cooking gas appliance.
- If it is evident there is excessive abrasion or wear, or the hose is cut, it must be replaced prior to the outdoor cooking gas appliance being put into operation. The replacement hose assembly shall be that specified by the manufacturer.
- Keep the fuel hose supply away from any heated surfaces.

5.1 Installing the Gas Cylinder

Read and follow all directions on the cylinder.

1. Turn the burner control knob to OFF position.
2. Remove the protective caps from the cylinder valve and coupling nut, if present.
3. Unclip hose and regulator assembly from bottom of base. Connect the regulator to the gas cylinder. Ensure the gas cylinder is in an upright position.
4. TIGHTEN BY HAND ONLY. Do not use tools.
5. Place connected cartridge into retaining loop in base.



Removal Of The Gas Cylinder

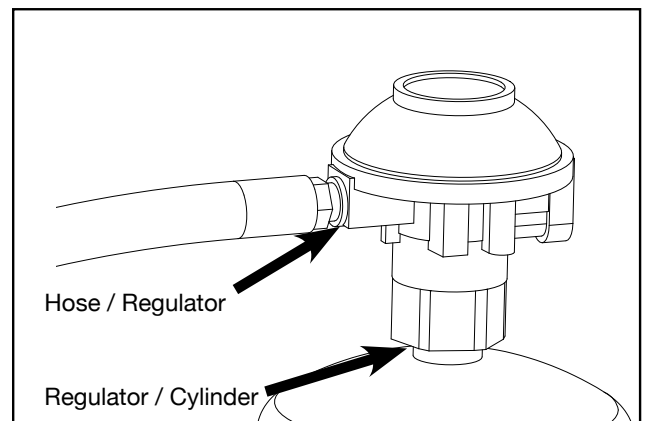
1. Turn the burner control knob to OFF position.
2. Turn the cylinder counterclockwise until it comes off.

5.2 Checking for Gas Leak

⚠ DANGER

Check gas system for leaks to prevent fire or explosion hazard

1. The “Leak Check” must be performed before lighting the grill and each time the cylinder is connected for use.
2. Do not smoke or allow other sources of ignition in the area while conducting a leak test.
3. Conduct the leak test outdoors in a well-ventilated area.
4. Do not use matches, lighters or a flame to check for leaks.
5. Do not use grill until all leaks have been stopped. If you are unable to stop a leak, disconnect the LPG supply, and call for gas application service or your local propane gas supplier.

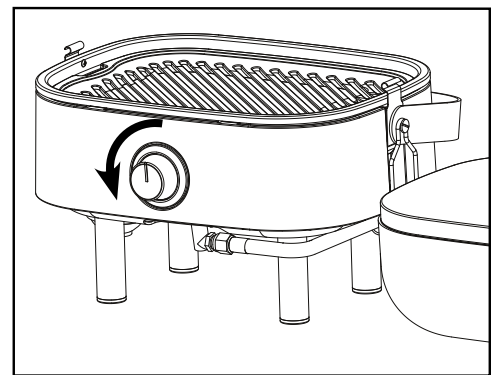


Leak Check Method

1. Make of leak solution by mixing one part liquid dishwashing soap with three parts water.
2. Make sure control knob is in the OFF position.
3. Spray or paint some leak solution on the cylinder and regulator connection.
4. Inspect the solution at the connections, looking for bubbles. If no bubbles appear, the connection is secure.
5. If bubbles appear, a leak is detected. Go to step 6.
6. Disconnect the cylinder from the regulator, and reconnect. Make sure the connection is secure and no leak is found before using the grill.
7. If you continue to see bubbles, **DO NOT USE THE GRILL**. Repeat the above process with a different gas cylinder. If leaks are still present, contact the customer service center.

5.3 Lighting Instructions

1. Read all instructions before lighting.
2. Make sure the gas control knob is in OFF position and cutting board is removed from top.
3. Push the gas control knob in and turn counterclockwise until you hear a click.
 - If burner does not light, return to OFF position and try again.
 - Once ignition has occurred, hold dial in for at least 5 seconds to ensure the burner stays lit.
 - If burner does not light or stay lit after holding dial in for 5 seconds, turn the dial to OFF position and wait for 5 minutes and try again. Do not continuously hold the dial in as you may cause a build up of gas.
 - In windy conditions shield from wind to ensure easy lighting.
 - After ignition, the burner should be burned at the high position for 3-5 minutes in order to preheat the grill.



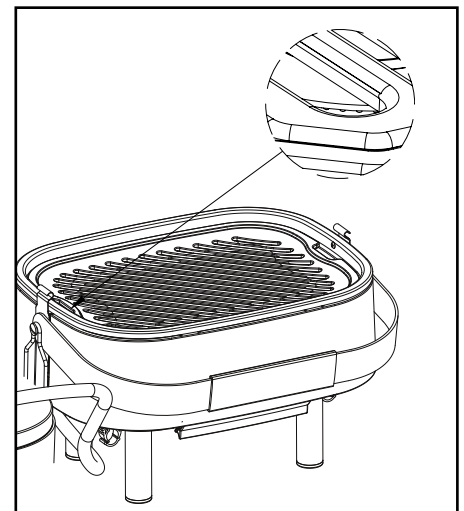
5.4 Match lighting

IMPORTANT!

Remove the Removable Cooking Grill Plate from the grill.

Match lighting instructions:

1. Read all instructions before lighting.
 - Place a lit match beside the burner.
 - After successful lighting, light burner as desired.
 - If burner fails to ignite after repeated attempts, contact the help line number stated in this manual.



⚠ CAUTION:

Do not touch any hot grill parts. The outside of the grill bottom especially becomes very hot during use. Use protective gloves to handle any parts that might become hot during use.

- In the event of an uncontrollable fire, immediately disconnect the gas cylinder moving it away from fire and contact the fire services. **DO NOT PUT YOURSELF AT RISK!**
- Ensure aerosols are not used near this unit when in use.
- Ensure all packaging and plastic bags are disposed of safely.

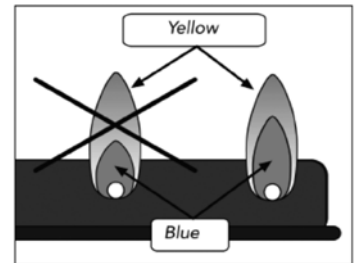
5.5 Using the Grill

A good flame should be blue with some yellow tips coming from the burner holes. Yellow tips on flames up to 1/4" in height are acceptable as long as no carbon or soot deposits appear.

During operation, stand to the side of grill.

Do not expose any part of your body directly above the cooking area.

The burner opening must be positioned properly over the valve orifices.



Flare-Up Control

IMPORTANT – FLARE UPS CAN OCCUR FROM RESIDUE FAT AND JUICES DRIPPING ONTO THE BURNER.

To reduce this, regularly clean the burner. To control flare-ups, it is advisable to trim away excess fat from meat and poultry before grilling. The burner should always be placed on the low setting during cooking. Always protect your hands when handling anything near the cooking surface of the grill.

End of Cooking Session

After each cooking session, turn the grill burner to the 'high' position and burn for 5 minutes. This procedure will burn off cooking residue, thus making cleaning easier.

Turning Off Your Barbecue

- Turn off at the control knob. Let the flame extinguish.
- Disconnect from the gas cartridge.

Grease Tray

- **IMPORTANT** – Check and clean the grease tray regularly before every use and replace if necessary. Do not allow the fat residue to build up in the tray.
- **NEVER** use without grease tray in position.

6. Care And Maintenance

6.1 Care

Regular care of your grill will help keep it operating properly. All maintenance should be done only when the grill is cool and with the fuel supply turned off. Occasionally inspect and tighten hardware that may become loose.

6.2 Cleaning The Venturi Tube

A spider's nest or wasp's mud inside the Venturi Tube can block gas flow and can even cause a fire at the gas control valve. Such a fire can cause operator injury and serious damage to your grill.

To prevent insect related problems, inspect the Venturi Tube regularly and remove any dirt.

WARNING!

Do not disassemble or alter the fuel supply system. Improper assembly can result in a hazardous condition. Seek qualified professional assistance if repairs are required.

6.3 Cleaning And Maintenance

- **WARNING: Do not clean any grill surface while grill is operating. Let grill cool to a safe temperature prior to cleaning.**
- Disconnect the fuel supply and remove the fuel supply cylinder prior to cleaning.
- Cleaning should be done where detergent won't harm work surface or lawn.

Do not leave the grill exposed to outside weather conditions or stored in damp, moist areas.

- Never douse the grill with water when its surfaces are hot.
- Never handle hot parts with unprotected hands.
- In order to extend the life and maintain the condition of your barbecue, we strongly recommend that the unit is covered when left outside for any length of time, especially during the winter months.
- Change the flexible tube when the national conditions require it.
- Keep outdoor cooking gas appliance area clear and free from combustible materials, gasoline and other flammable vapors and liquids.

Removable Cooking Grill Plate

- The removable cooking grill plate should be hand washed.
- To remove any food residue, use a mild cream cleaner on a non-abrasive pad.
- Rinse well and dry thoroughly.

Grill Body

- Regularly remove excess grease or fat from the grill body with a soft plastic or wooden scraper.
- It is not necessary to remove all the grease from the body. If you need to clean fully, use hot soapy water and a cloth, or nylon-bristled brush only.
- Remove cooking surfaces and burner before full cleaning.
- Do not immerse the gas controls or manifold in water.
- Check burner operation after carefully refitting into body.

Burner Maintenance

- In normal usage, burning off the residue after cooking will keep the burner clean.
- The burner should be cleaned annually, or whenever heavy build-up is found, to ensure that there are no signs of blockage (debris, insects) in either the burner portholes or the venturi tubes of the burner fitted over the valve outlets. A clogged tube can lead to a fire beneath the grill.

7. FAQ and Troubleshooting

Frequently Asked Questions

Can I use a 9kg LP tank?

No, only 450 g or 450 ml gas cylinder can be used. It may be hazardous to attempt to fit any other types of gas cartridges/cylinders.

Can I use my Cuisinart Gas Grill with natural gas?

NO. Your Cuisinart Gas Grill is intended for use only with LP (Liquid Propane) gas. Natural Gas is NOT Liquid Propane. Never use any other fuel source with your grill, as it will create a dangerous situation.

Can I add lava rocks, ceramic tiles, or charcoal briquettes to my Cuisinart Gas Grill?

NO. Your grill is not intended to operate with these items, and doing so may create an unsafe situation, and will void your warranty.

Where can I buy accessories or replacement parts?

Visit support@cuisinart.co.uk or call 03702 406 902.

What is the g/h input?

195g/h

What is the injector size?

0.83MM

Troubleshooting

Burner won't light (using the ignition system)

- Be sure LPG bottle still has fuel in it by gently shaking it - there will be sounds of liquid inside if fuel remains.
- Ensure LPG bottle is correctly threaded into regulator (not cross threaded) and fully tightened.
- Check to see that burner orifice holes are clear. If obstructed, with gas bottle disconnected, gently brush orifice holes with a small brush.
- Check to see that ignitor is producing a spark against the burner (best checked in shady spot).

If above do not solve problem, unless LPG tank is new, replace with new tank and attempt lighting again.

Grill doesn't reach high enough temperature (using LP bottle)

- Be sure LPG bottle still has fuel in it by gently shaking it - there will be sounds of liquid inside if fuel remains.
- Check to see that the venturi tube air inlet screen is not covered or clogged (see Section 6.2 on page 13).
- Test gas system for leaks (Section 5.2, page 10)"

8. Warranty and Replacement Parts

This warranty covers defects in parts and workmanship for a period of 3 years from the original purchase date. Any damage claim regarding the enameling must be submitted within 30 days of purchase to be covered by the warranty.

The following conditions are NOT covered by this warranty:

- Unevenness and color variations in the coated surfaces.
- Damage caused by improper assembly or disregard of the manual.
- Use of spare parts not supplied by manufacturer.
- Damage resulting from modifications or inappropriate use.
- Abuse of the grill
- Damage caused by improper maintenance or repairs by an unauthorized person.

Limitations and exclusions:

1. This warranty applies only to the original purchaser and may not be transferred.
2. If you can not verify the purchase date of the grill the warranty period will begin on the date the grill was manufactured.
3. Replacement or repair parts are warranted for the remaining period of the original part warranty.

Your obligations:

This grill must be assembled, installed, operated and maintained in accordance with all applicable codes and the instruction manual furnished with this grill. You must keep an invoice, cancelled check or payment record to verify the purchase date of the grill.

Gas Category: LPG
Gas Type and pressure: butane-propane mixture
Maximum Gas Consumption: LPT at 28-30mbar
Total heat input: 2.7kW
Injector size: 0.83mm
Countries intended for: GB / IE
Brand: Cuisinart
Model No: CGG750EU
Batch No: 845A
Pin: 2575DR43311

BaByliss SARL
ZI du Val de Calvigny
59141 Iwuy
France

The Conair Group Ltd
Unit 4, Revolution Park
Buckshaw Avenue
PR7 7DW

Cuisinart Outdoors

Follow us @cuisinart_europe



UK Guarantee

Limited Three-Year Guarantee

This appliance is guaranteed for consumer use for 3 years and is only valid within the United Kingdom.

This guarantee covers consumer use only i.e. defects occurring under normal use within the home from date of purchase or date of delivery, whichever is later.

If the product develops a fault due to defects in materials or manufacture **within 12 months** from the date of purchase, to avoid delays and unnecessary inconvenience, where possible please return the product to the point of purchase for an exchange.

If the product develops a fault due to defects in materials or manufacture **after 12 months** from the date of purchase, and within the guarantee period, Conair UK After Sales Service will repair or replace the product.

Exclusions

This guarantee will no longer be valid meaning that The Conair Group Ltd will not be liable to repair or replace your product where:

1. The appliance has been used on a voltage supply other than that which is marked on the product, or advised within this instruction booklet
2. The appliance has been purchased from an unauthorised stockist *
3. The appliance is used for professional / non domestic usage
4. Repairs or alterations have been attempted by unauthorised persons
5. The failure of the appliance is a direct result of misuse
6. The failure is a result of not following the instructions for use This guarantee does not cover any cosmetic damage due to misuse of the product nor any damage to persons or property that occurs because of product misuse.

* unauthorised stockists include, but are not limited to online auction sites, private sellers and those selling second hand goods, refurbished products etc.

If you have any queries regarding this guarantee please contact the Conair Customer Care at support@cuisinart.co.uk or 03702 406 902.

It is important to retain your proof of purchase.

Even where a refund may be applicable, no refund will be provided without a valid receipt or proof of purchase, we will only be able to offer a repair or replacement service. Please note this does not apply if the product was purchased directly from The Conair Group Ltd.

Guarantees on replacement products run from the original purchase date or date of delivery, whichever is later, and not from the date of replacement.

This guarantee is an additional benefit and does not affect your statutory rights as a consumer.

For further advice on using the appliance or should you need to return your product, please contact the Conair Customer Care at support@cuisinart.co.uk or 03702 406 902.

UK After Sales Service

For further advice on using the appliance or should you need to return your product, swap email and phone around so email is first. Also remove times for phones.

Return address: Customer Care Centre

Conair Logistics
Unit 4, Revolution Park
Buckshaw Avenue
Buckshaw Village
Chorley
PR7 7DW

Please enclose your returns number, name and address details, together with a copy of proof of purchase and details of the fault.

Please note this Instruction Booklet is not the guarantee.

BaByliss SARL
ZI du Val de Calvigny
59141 Iwuy
France

The Conair Group Ltd
Unit 4, Revolution Park
Buckshaw Avenue
PR7 7DW

See our full line of premium Cuisinart™
Outdoor Cooking Products at www.cuisinart.eu

©2025 Cuisinart
Printed in China | CGG750EU